



SMART4ALL

EDIoT

University of
Hertfordshire **UH**

Meazon enables energy digitization and data intelligence by enabling EDGE computing in the metering sensor.

Our highly integrated embedded system is actually part of a CPS (Cyber Physical System), as it integrates sensing, computation, control and networking, in to a small, accurate, powerful, low cost, fully certified device than can be used to enable many new services at lower cost.

Utilities & energy vendors trust us

Honeywell

A complete metering and data solution from your facility to the Enacto Cloud.



Enacto Multi Sphere /
Mono Sphere

- Wireless meter
- 3 phase/1 phase
- Clip-on CT's

CLP Hong Kong



Smart Energy
Connect
powered by CLP

meazon
measure | monitor | manage

Developed by CLP
Meazon

TNB Malaysia



Maevi Energy Meter (1 Phase) 📶
Maevi Energy Meter (3 Phase) 📶

EYES TO SEE THE INVISIBLE

Installed at your Electric Distribution Panel, Maevi Energy Meter helps you to monitor the whole electrical consumption using smartphone, and detects if there is any unusual electrical activities so that you can effectively patch it-on.

* Installation Required (Authorized Electrician)
* Maevi Gateway Required

EDP acceleration program

Endesa



E-REDES



STARTER
acceleration program
by Horizon Venture AB

Grand Finale
Lisbon, November 6, 2019

Meazon

IOT technology for energy digitization
to boost sustainability worldwide.

PATRA, GREECE
March 13
meazon.com

edpstarter.com/acceleration

US DoE Wireless Submetering Award



Prototypes were tested at the General Services Administration (GSA) Headquarters in Washington D.C. *(Photo from GSA)*



[more info](#)

Energy management optimisation in buildings and smartgrids requires knowledge of the energy consumption, daily routines on device level. This information is extracted by Energy Disaggregation (ED) methods. ED is based on machine learning algorithms requiring significant computational power and thus energy samples are transmitted to the cloud for processing rather than running the ED algorithms on the IoT smart meter device. In EDIoT we will develop new/customised light ED algorithms in order to be able to run on the IoT smart meter device.

Cyber-Physical Systems integrate **sensing**, **computation**, **control** and **networking** into physical objects and infrastructure, connecting them to the Internet and to each other.

In The future Homes and offices will be powered by a Smart Grid that is user-aware and will use sensors to analyze the environment and optimize lighting, heating and cooling.

Sense

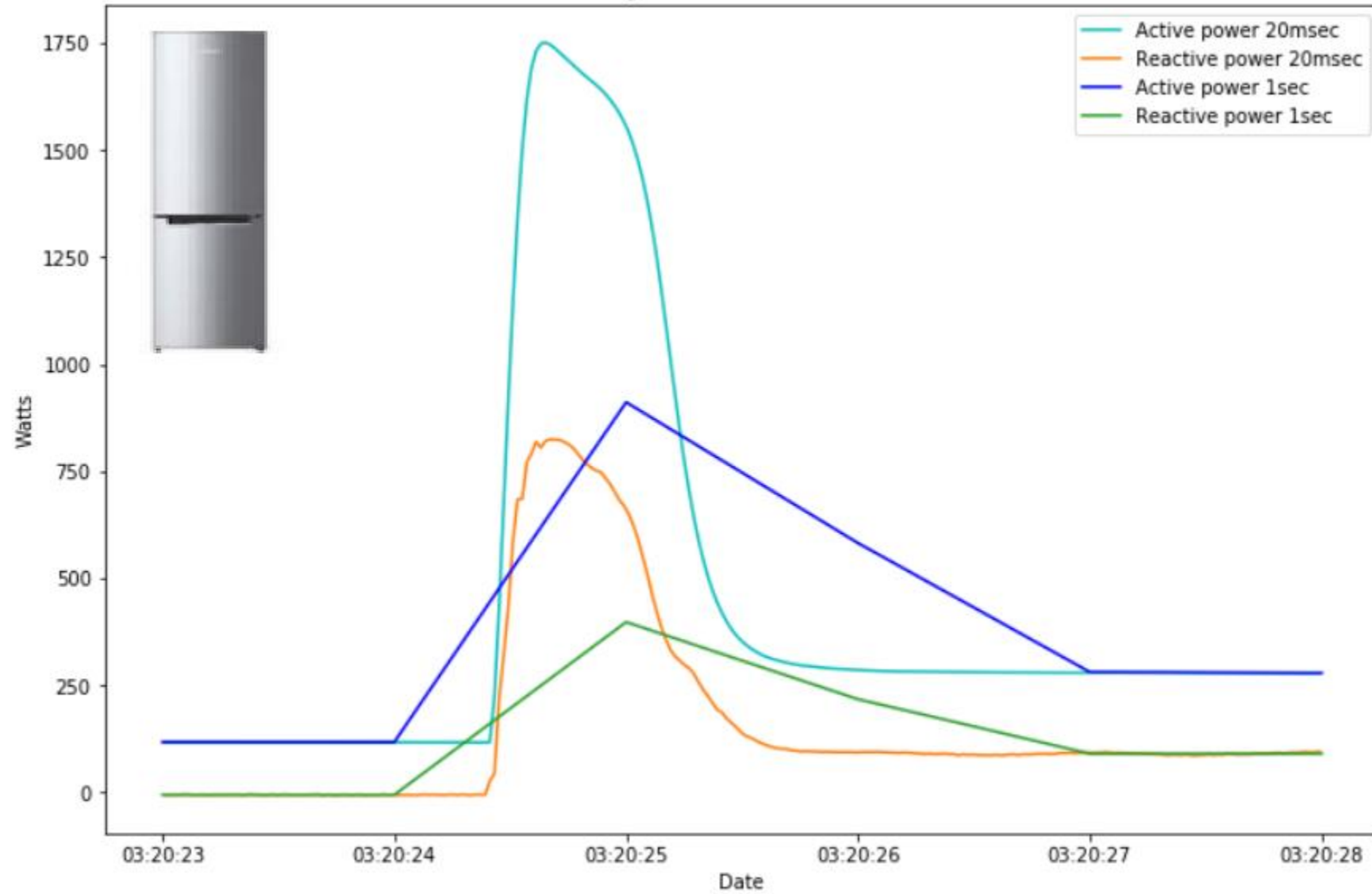
Compute

Communicate

Control



Transition of fridge motor at 20msec VS 1sec interval



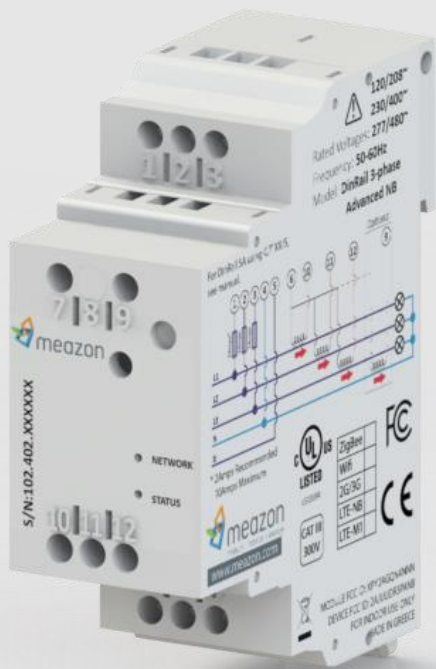
TV turned ON at 20msec VS 1sec



11-05-11

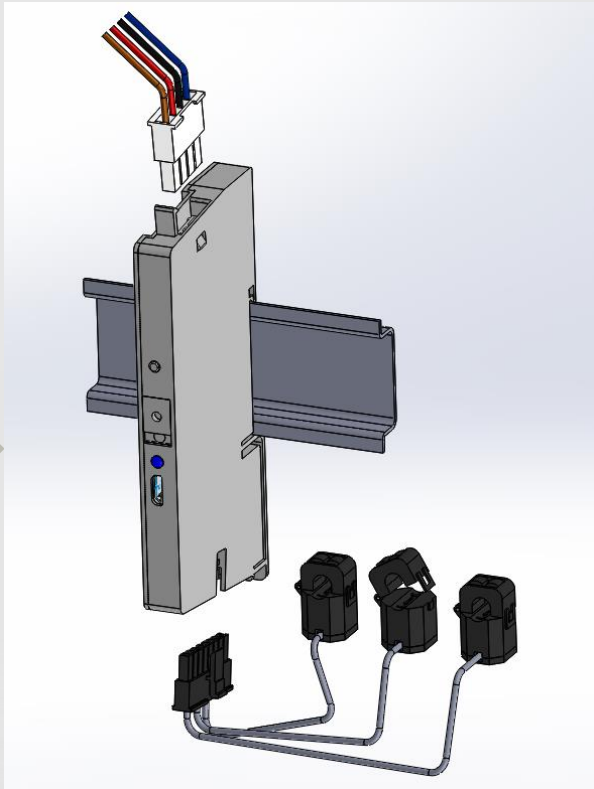
As small and powerful as it can get ...

2018



W: 25 mm

2021



W: 10 mm

Wireless, accurate, real time, energy monitoring and control

Total Harmonic Distortion monitoring

ZigBee, NB-IoT, WiFi and USB connectivity

End-to-end security to device level

Thank You !

Stelios Koutroubinas, Ph.D.
CEO
MEAZON SA

s.koutroubinas@meazon.com

M: +30 6975 901703